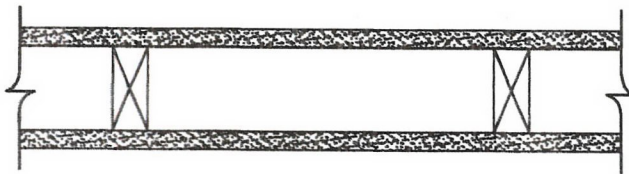




Shield Industries, Inc.

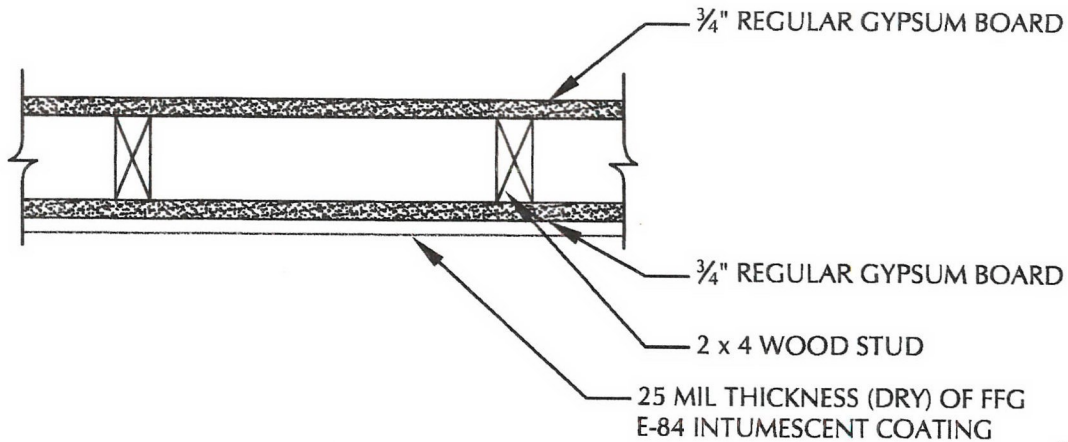
W8 2 HOUR FIRE ASSEMBLY - WOOD FRAMED WALL w/ 3/4" GYPSUM BOARD

Typical Frame Wall Assembly 3/4" unrated Gypsum Wall Board attached to 2 x 4 southern yellow pine studs at 16" o.c. with 1-5/8" course thread dry wall screws spread per local building code



TO ACHIEVE 2 HOUR FIRE RATING:

APPLY 25 MIL THICKNESS (DRY) OF ForceField® FireGuard® E-84 TO EXPOSED SIDE OF GYPSUM BOARD



SCALE: N.T.S.

FIRE TEST ENDURANCE RATING:	2 HOUR
STANDARD TESTED TO:	ASTM E-119-10b
FIRE TESTED LABORATORY:	GUARDIAN FIRE TESTING LABORATORIES, INC. 480 HINMAN AVE. BUFFALO, NY 14216
REPORT NO:	GL 71011
PRODUCT:	ForceField® FireGuard® E-84 INTUMESCENT COATING (FFG E-84)
MANUFACTURER:	SHIELD INDUSTRIES, INC. 131 SMOKEHILL LANE WOODSTOCK, GA 30188

GUARDIAN
A. Joseph Pearson
11/24/13



Laura Ann Hinton 11/18/13

* SEE MANUFACTURER APPLICATION INSTRUCTIONS AND SPECIFICATIONS FOR SURFACE PREPARATION AND APPLICATION PROCESS