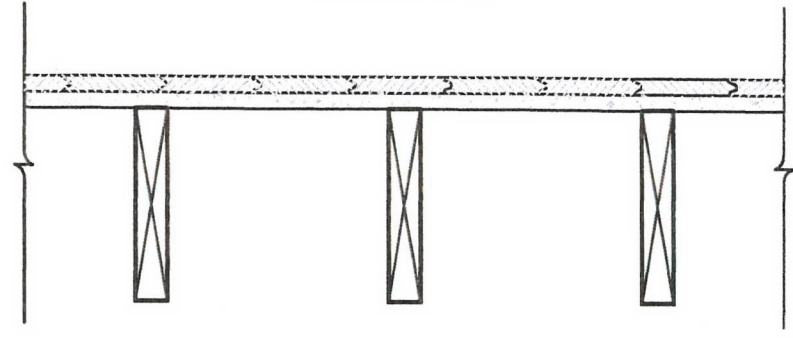




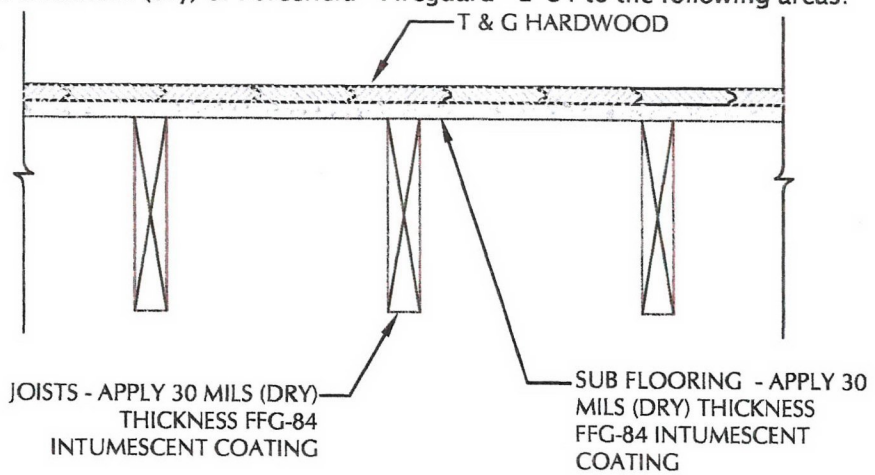
(FW9)

1 HOUR FIRE ASSEMBLY - WOOD FLOOR
 TYPICAL FLOOR ASSEMBLY: 2" TOTAL (SUBFLOOR AND T&G HARDWOOD FLOORING)
 JOIST: 2" X 12"



TO ACHIEVE 1 HOUR FIRE RATING:

Apply 30 mil thickness (dry) of Forcefield® Fireguard® E-84 to the following areas:



SCALE: N.T.S.

FIRE TEST ENDURANCE RATING:	1 HOUR
STANDARD TESTED TO:	ASTM E-119
FIRE TESTED LABORATORY:	GUARDIAN FIRE TESTING LABORATORIES, INC. 480 HINMAN AVE. BUFFALO, NY 14216
REPORT NO:	GL 115411
PRODUCT:	ForceField® FireGuard® E-84 INTUMESCENT COATING (FFG E-84)
MANUFACTURER:	SHIELD INDUSTRIES, INC. 131 SMOKEHILL LANE WOODSTOCK, GA 30188

* SEE MANUFACTURER APPLICATION INSTRUCTIONS AND SPECIFICATIONS FOR SURFACE PREPARATION AND APPLICATION PROCESS

GUARDIAN
A. Joseph Pearson
 11/20/13



Louella Hinton 11/18/13