

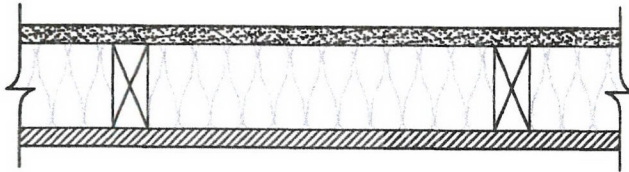


Shield Industries, Inc.

W11 2 HOUR FIRE ASSEMBLY - WOOD FRAMED WALL

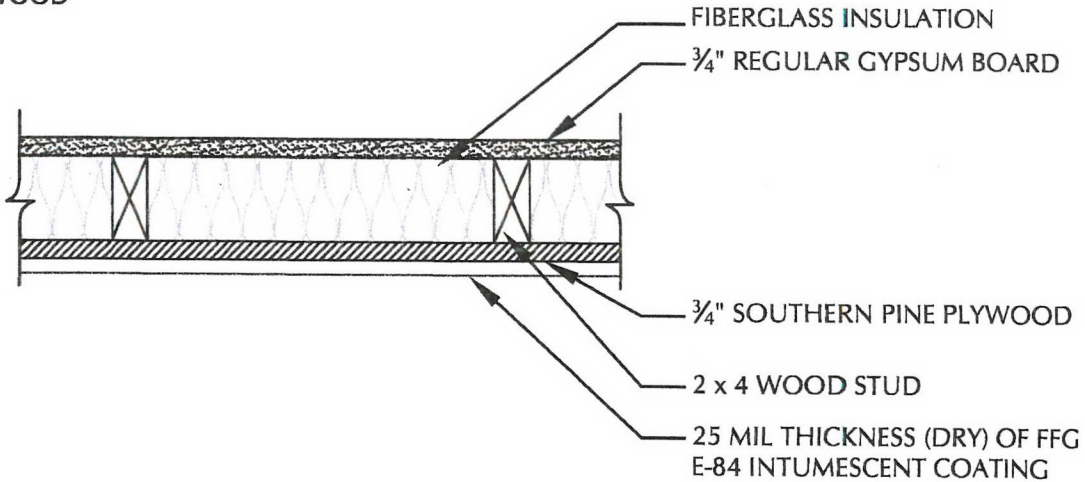
w/ 3/4" SOUTHERN PINE PLYWOOD

Typical Frame Wall Assembly 3/4" unrated Gypsum Wall Board (untreated side), 3/4" Southern Pine Plywood (treated side) attached to 2 x 4 southern yellow pine studs at 16" o.c. with fiberglass insulation and 1-5/8" course thread dry wall screws spread per local building code



TO ACHIEVE 2 HOUR FIRE RATING:

APPLY 25 MIL THICKNESS (DRY) OF ForceField® FireGuard® E-84 TO EXPOSED SIDE OF PLYWOOD



SCALE: N.T.S.

FIRE TEST ENDURANCE RATING:	2 HOUR
STANDARD TESTED TO:	ASTM E-119-10b, UL 263, NFPA 251, ULC-S-1
FIRE TESTED LABORATORY:	GUARDIAN FIRE TESTING LABORATORIES, INC. 480 HINMAN AVE. BUFFALO, NY 14216
REPORT NO:	GL 115511
PRODUCT:	ForceField® FireGuard® E-84 INTUMESCENT COATING (FFG E-84)
MANUFACTURER:	SHIELD INDUSTRIES, INC. 131 SMOKEHILL LANE WOODSTOCK, GA 30188

* SEE MANUFACTURER APPLICATION INSTRUCTIONS AND SPECIFICATIONS FOR SURFACE PREPARATION AND APPLICATION PROCESS



R. Joseph Baer
11/27/13



11/18/13
Laura Ann Hinton