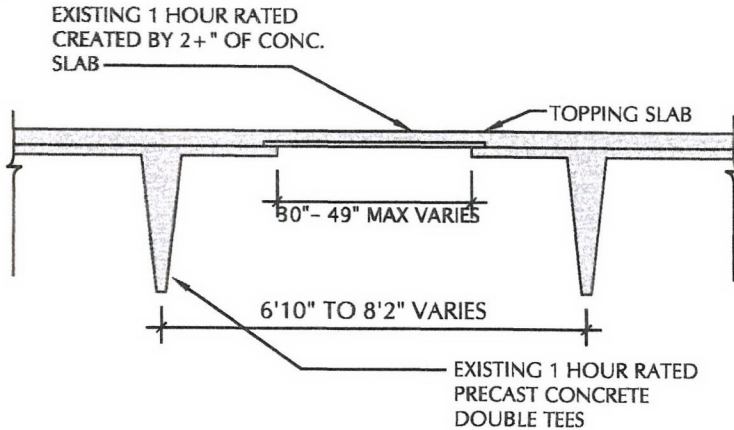




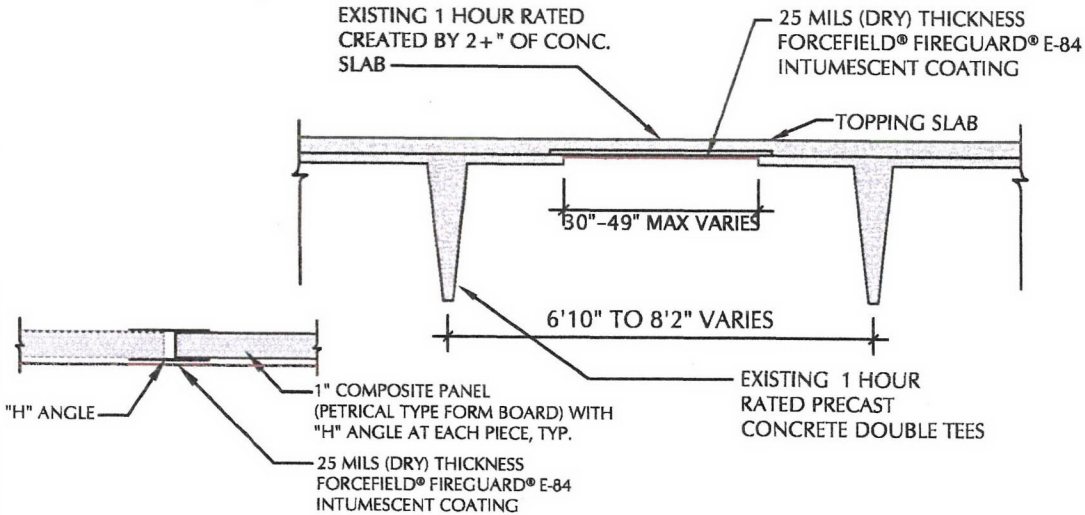
## 2 HOUR CONCRETE FLOOR / CEILING FIRE ASSEMBLY

Concrete floor / ceiling assembly with existing 1 hour rated precast concrete double tees and 1 hour Concrete top slab



### TO ACHIEVE 2 HOUR FIRE RATING: (@ COMPOSITE PANEL)

Preparation of concrete and steel: clean and apply 2.5 mil Alkyd primer: Apply 25 mil thickness (dry) of Forcefield® Fireguard® E-84 to exposed side of composite panels



SCALE: N.T.S.

FIRE TEST ENDURANCE RATING:	2 HOUR
FIRE TESTED LABORATORY:	GUARDIAN FIRE TESTING LABORATORIES, INC 480 HINMAN AVE. BUFFALO, NY 14216
REPORT NUMBER:	GL 115611 PLUS JUDGEMENT
PRODUCT:	ForceField® FireGuard® E-84 INTUMESCENT COATING (FFG E-84)
MANUFACTURER:	SHIELD INDUSTRIES, INC. 131 SMOKEHILL LANE WOODSTOCK, GA 30188



**GUARDIAN**  
*R. J. [Signature]*  
11/27/13

\* SEE MANUFACTURER APPLICATION INSTRUCTIONS AND SPECIFICATIONS FOR SURFACE PREPARATION AND APPLICATION PROCESS

*Laura Ann Hinton* 11/18/13