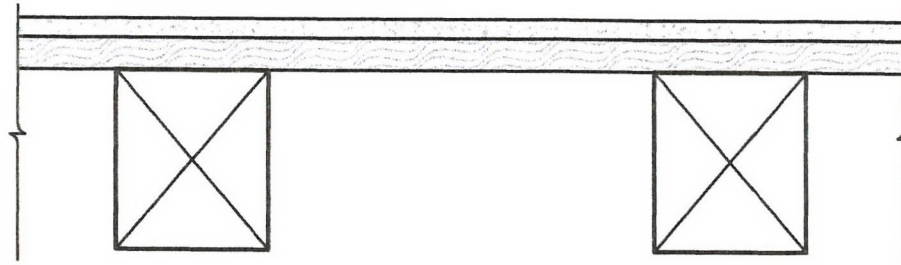




**FW7**

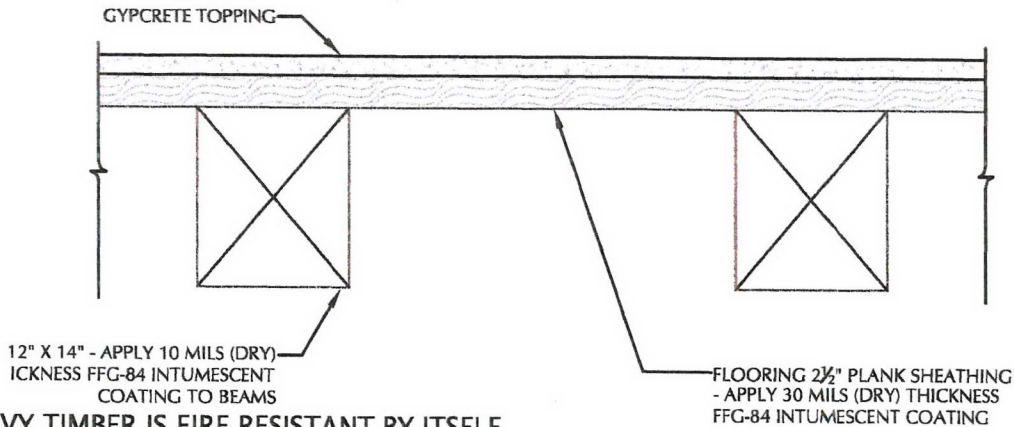
**1 HOUR FIRE ASSEMBLY - WOOD FLOOR**

TYPICAL FLOOR ASSEMBLY: DECK TOPPING: 1 1/2" GYPCRETE TOPPING  
 FLOORING: 2 1/2" PLANK SHEATHING  
 BEAMS: 12" X 14"



**TO ACHIEVE 1 HOUR FIRE RATING:**

Apply 30 mil thickness (dry) of Forcefield® Fireguard® E-84 to the flooring.  
 Apply 10 mil thickness (dry) of Forcefield® Fireguard® E-84 to the beams.



**NOTE: HEAVY TIMBER IS FIRE RESISTANT BY ITSELF**

SCALE: N.T.S.

FIRE TEST ENDURANCE RATING:	1 HOUR
STANDARD TESTED TO:	ASTM E-119
FIRE TESTED LABORATORY:	GUARDIAN FIRE TESTING LABORATORIES, INC. 480 HINMAN AVE. BUFFALO, NY 14216
REPORT NO:	GL 115411
PRODUCT:	ForceField® FireGuard® E-84 INTUMESCENT COATING (FFG E-84)
MANUFACTURER:	SHIELD INDUSTRIES, INC. 131 SMOKEHILL LANE WOODSTOCK, GA 30188

\* SEE MANUFACTURER APPLICATION INSTRUCTIONS AND SPECIFICATIONS FOR SURFACE PREPARATION AND APPLICATION PROCESS

**GUARDIAN**  
*R. Joseph Pearson*  
 11/27/13



*Samuel H. T. W.* 11/18/13