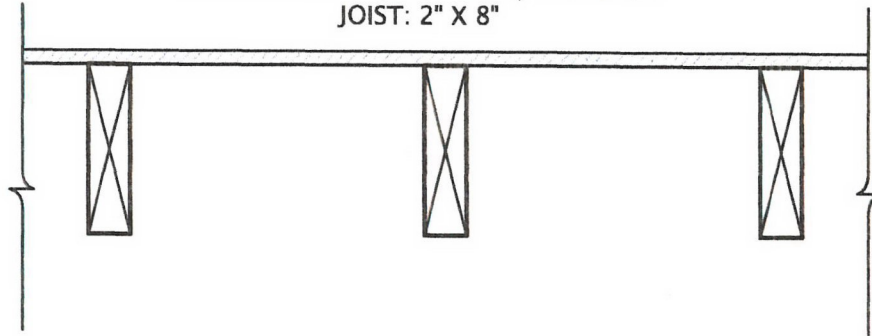




FW12

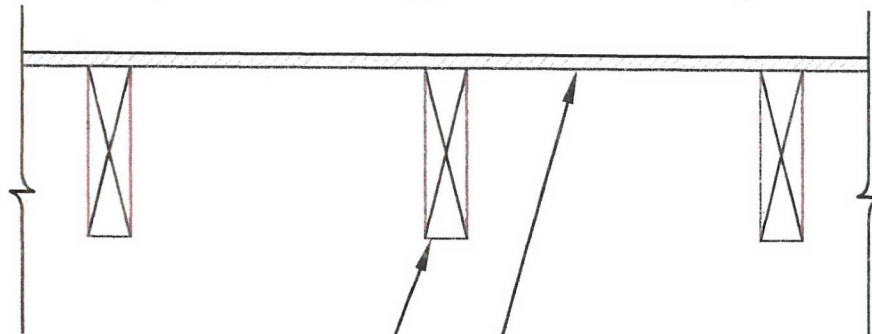
1 HOUR FIRE ASSEMBLY - WOOD FLOOR

TYPICAL FLOOR ASSEMBLY: $\frac{3}{4}$ " PLYWOOD
JOIST: 2" X 8"



TO ACHIEVE 1 HOUR FIRE RATING:

Apply 30 mil thickness (dry) of Forcefield® Fireguard® E-84 to the following areas:



JOIST - APPLY 30 MILS (DRY)
THICKNESS FFG-84
INTUMESCENT COATING

$\frac{3}{4}$ " PLYWOOD - APPLY 30 MILS
(DRY) THICKNESS FFG-84
INTUMESCENT COATING

FIRE TEST ENDURANCE RATING:	1 HOUR
STANDARD TESTED TO:	ASTM E-119
FIRE TESTED LABORATORY:	GUARDIAN FIRE TESTING LABORATORIES, INC. 480 HINMAN AVE. BUFFALO, NY 14216
REPORT NO:	GL 115411
PRODUCT:	ForceField® FireGuard® E-84 INTUMESCENT COATING (FFG E-84)
MANUFACTURER:	SHIELD INDUSTRIES, INC. 131 SMOKEHILL LANE WOODSTOCK, GA 30188

* SEE MANUFACTURER APPLICATION INSTRUCTIONS AND SPECIFICATIONS FOR SURFACE PREPARATION AND APPLICATION PROCESS



SCALE: N.T.S.

R. Joseph Pearson
11/27/13



Samuel H. Lee 11/18/13