

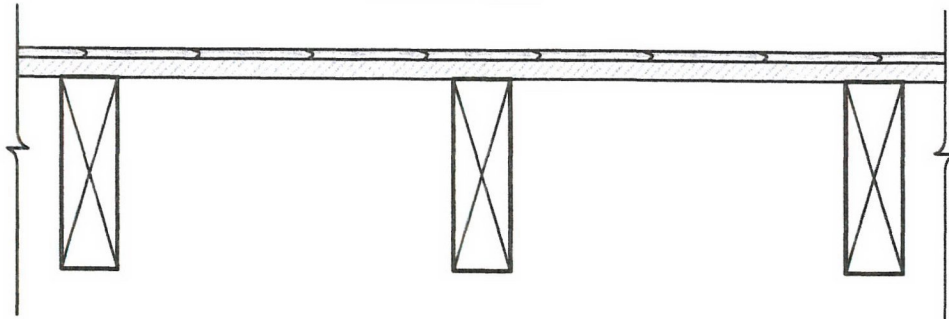


# Shield Industries, Inc.

**FW1**

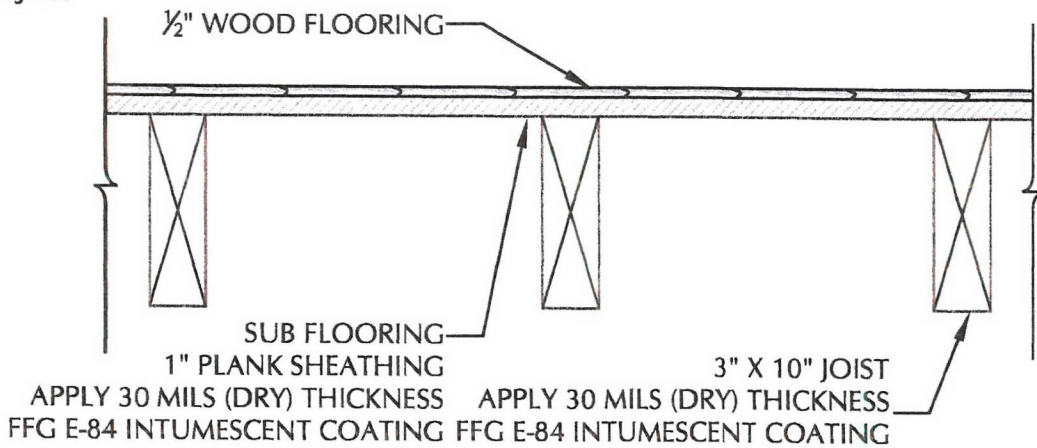
## 1 HOUR FIRE ASSEMBLY - WOOD FLOOR

TYPICAL FLOOR ASSEMBLY: FLOORING: 1/2" WOOD FLOORING  
SUB FLOORING: 1" PLANK SHEATHING  
JOIST: 3" X 10"



### TO ACHIEVE 1 HOUR FIRE RATING:

Apply 30 mil thickness (dry) of Forcefield® Fireguard® E-84 to all exposed flooring, sheathing and joist



SCALE: N.T.S.

FIRE TEST ENDURANCE RATING:	1 HOUR
STANDARD TESTED TO:	ASTM E-119
FIRE TESTED LABORATORY:	GUARDIAN FIRE TESTING LABORATORIES, INC. 480 HINMAN AVE. BUFFALO, NY 14216
REPORT NO:	GL 115411
PRODUCT:	ForceField® FireGuard® E-84 INTUMESCENT COATING (FFG E-84)
MANUFACTURER:	SHIELD INDUSTRIES, INC. 131 SMOKEHILL LANE WOODSTOCK, GA 30188

\* SEE MANUFACTURER APPLICATION INSTRUCTIONS AND SPECIFICATIONS FOR SURFACE PREPARATION AND APPLICATION PROCESS

*Guardian*  
*R. Joseph Beaman*  
*11/27/13*



*Laura Ann Hinton* 11/18/13