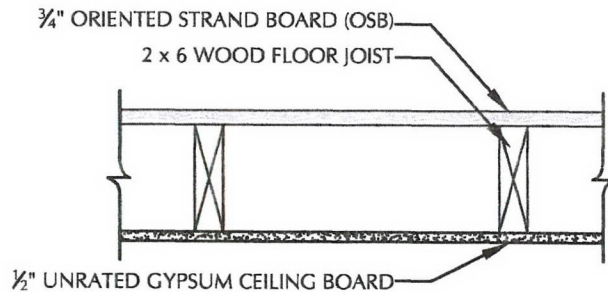


Shield Industries, Inc.

FC1

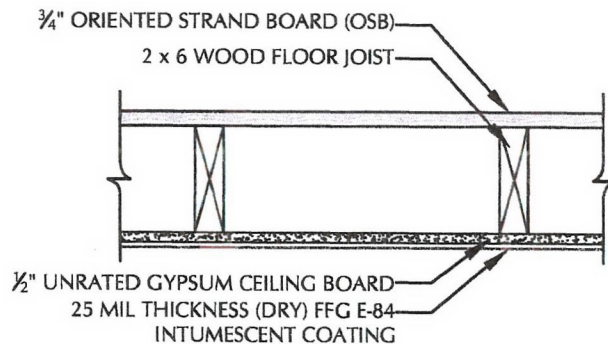
1 HOUR FIRE ASSEMBLY - WOOD FRAME FLOOR / CEILING

Floor / Ceiling Assembly $\frac{1}{2}$ " regular gypsum board mounted below 2 x 6 or larger wood floor joists 16" o.c. using 1- $\frac{5}{8}$ " course thread drywall screws @ 8" O.C., sub floor is $\frac{3}{4}$ " oriented strand board (OSB)



TO ACHIEVE 1 HOUR FIRE RATING:

Apply 25 mil thickness (dry) of Forcefield® Fireguard® E-84 to exposed side of gypsum board ceiling.



SCALE: N.T.S.

FIRE TEST ENDURANCE RATING:	1 HOUR
NOTES:	Test performed with $\frac{1}{2}$ " unrated regular gypsum wallboard and $\frac{3}{4}$ " OSB, therefore, wood frame floor/ceiling assemblies utilizing thicker gypsum as a ceiling would achieve a 1 hour fire rating with a 25 MIL(dry) thickness application applied to the exposed side of the gypsum board
STANDARD TESTED TO:	ASTM E-119
FIRE TESTED LABORATORY:	GUARDIAN FIRE TESTING LABORATORIES, INC. 480 HINMAN AVE. BUFFALO, NY 14216
REPORT NO:	GL 60911
PRODUCT:	ForceField® FireGuard® E-84 INTUMESCENT COATING (FFG E-84)
MANUFACTURER:	SHIELD INDUSTRIES, INC. 131 SMOKEHILL LANE WOODSTOCK, GA 30188


R. Joseph Pearson
 11/24/13



Samuel H. Hinton 11/18/13

* SEE MANUFACTURER APPLICATION INSTRUCTIONS AND SPECIFICATIONS FOR SURFACE PREPARATION AND APPLICATION PROCESS