



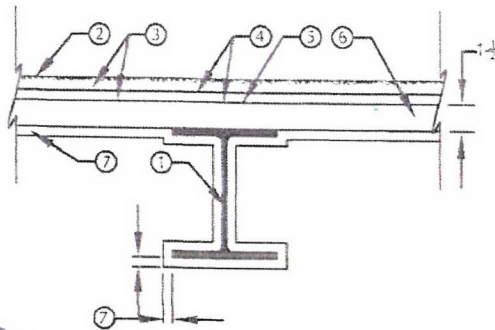
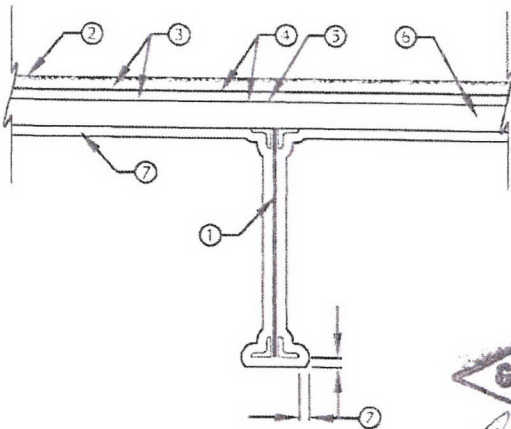
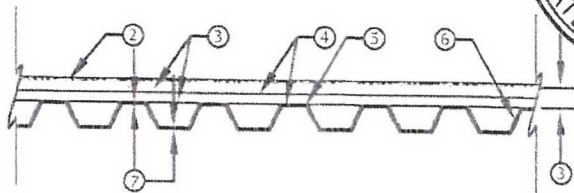
Shield Industries, Inc.

ASM-5

ROOF ASSEMBLY - W6x16 MIN. "I" BEAM, STEEL JOISTS (SEE 1A)



Laura Ann Hinton
12/5/13



R. Joseph Pearson
10/17/12

SCALE: N.T.S.

FIRE TEST ENDURANCE RATING:	1 HOUR
STANDARD TESTED TO:	ASTM E-119
FIRE TESTED LABORATORY:	GUARDIAN FIRE TESTING LABORATORIES, INC. 480 HINMAN AVE. BUFFALO, NY 14216
REPORT NO:	GL58812 & GL115611
PRODUCT:	ForceField® FireGuard® E-84 INTUMESCENT COATING (FFG E-84)
MANUFACTURER:	SHIELD INDUSTRIES, INC. 131 SMOKEHILL LANE WOODSTOCK, GA 30188

* SEE MANUFACTURER APPLICATION INSTRUCTIONS AND SPECIFICATIONS FOR SURFACE PREPARATION AND APPLICATION PROCESS