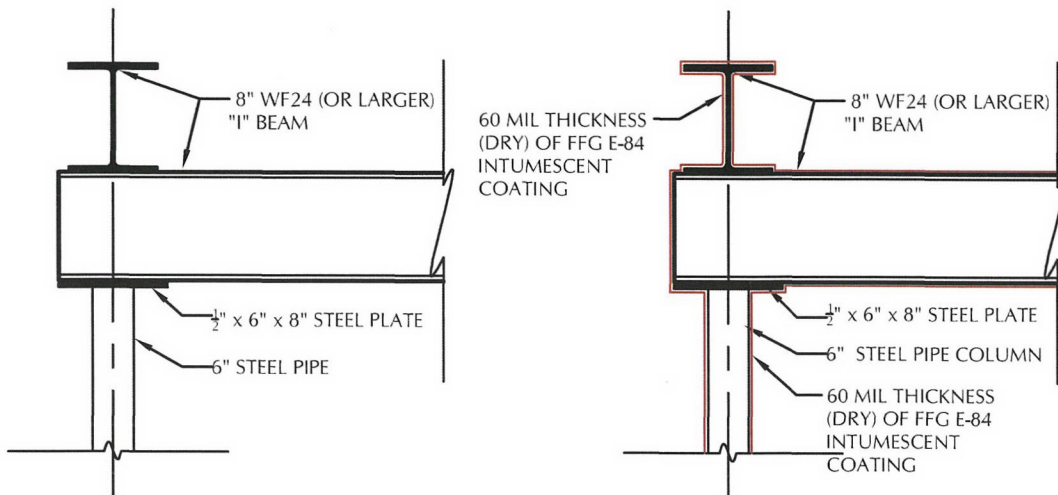




Shield Industries, Inc.

ASM-4

2 HOUR FIRE ASSEMBLY - STEEL BEAM AND COLUMN ASSEMBLY



TO ACHIEVE 2 HOUR FIRE RATING (USING CRITERIA 1300°F AVERAGE):

PREPERATION OF STEEL ASSEMBLY: CLEAN AND APPLY ALKYD PRIMER @ 2.5 MILS.

APPLY 60 MIL THICKNESS (DRY) OF ForceField® FireGuard® E-84 TO ALL EXPOSED SIDES OF STEEL BEAM/COLUMN ASSEMBLY

SCALE: N.T.S.

FIRE TEST ENDURANCE RATING:	2 HOUR
STANDARD TESTED TO:	ASTM E-119
FIRE TESTED LABORATORY:	GUARDIAN FIRE TESTING LABORATORIES, INC. 480 HINMAN AVE. BUFFALO, NY 14216
REPORT NO:	GL 115611
PRODUCT:	ForceField® FireGuard® E-84 INTUMESCENT COATING (FFG E-84)
MANUFACTURER:	SHIELD INDUSTRIES, INC. 131 SMOKEHILL LANE WOODSTOCK, GA 30188

GUARDIAN
M. Joseph Pearson 4/17/14



Laurel Hinton 3/21/14

* SEE MANUFACTURER APPLICATION INSTRUCTIONS AND SPECIFICATIONS FOR SURFACE PREPARATION AND APPLICATION PROCESS