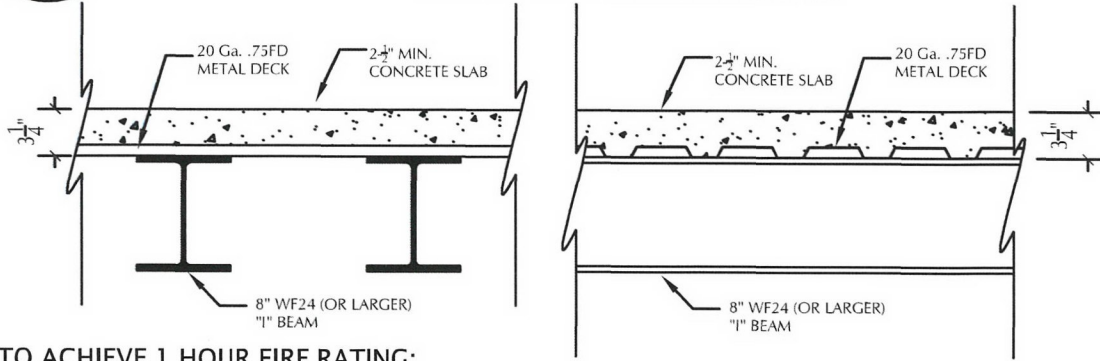


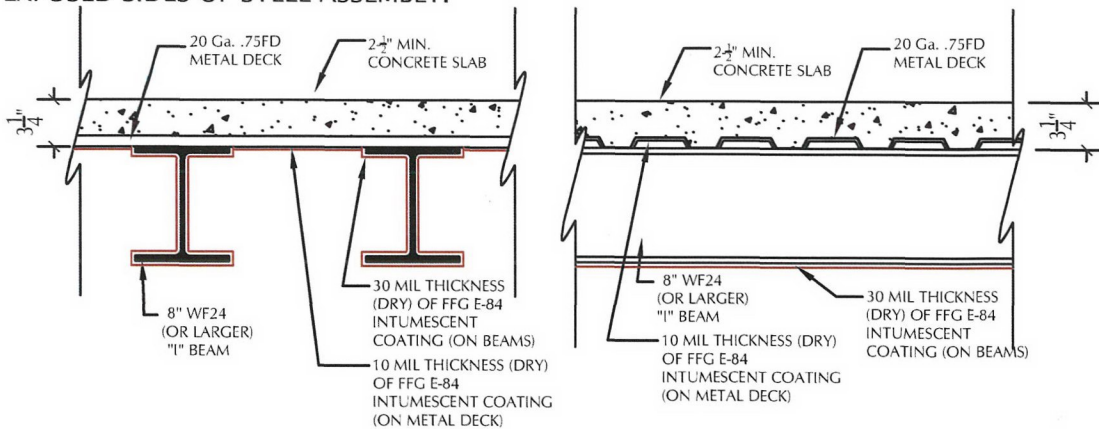
Shield Industries, Inc.

ASM-1-2

1 HOUR FIRE ASSEMBLY - 8" WF24 (OR LARGER) STEEL BEAMS, 20 Ga. .75FD STEEL DECK W/ 2-1/2" MIN. CONCRETE SLAB



TO ACHIEVE 1 HOUR FIRE RATING:
 PREPARATION OF STEEL ASSEMBLY: CLEAN AND APPLY ALKYD PRIMER @ 2.5 MILS.
 APPLY REFERENCED MIL THICKNESS (DRY) OF ForceField® FireGuard® E-84 TO ALL EXPOSED SIDES OF STEEL ASSEMBLY.



SCALE: N.T.S.

FIRE TEST ENDURANCE RATING:	1 HOUR
STANDARD TESTED TO:	ASTM E-119-11 a Structural Steel Section; NFPA 251; UL 263; ULC S-101-07 with No Load Capacity, No Restraint, Small Scale Test
FIRE TESTED LABORATORY:	GUARDIAN FIRE TESTING LABORATORIES, INC. 480 HINMAN AVE. BUFFALO, NY 14216
REPORT NO:	GL 115611 & GL58812 rev
PRODUCT:	ForceField® FireGuard® E-84 INTUMESCENT COATING (FFG E-84)
MANUFACTURER:	SHIELD INDUSTRIES, INC. 131 SMOKEHILL LANE WOODSTOCK, GA 30188

* SEE MANUFACTURER APPLICATION INSTRUCTIONS AND SPECIFICATIONS FOR SURFACE PREPARATION AND APPLICATION PROCESS

GUARDIAN
A. Joseph Pearson 4/7/14



Laurel Hinton 3/21/14